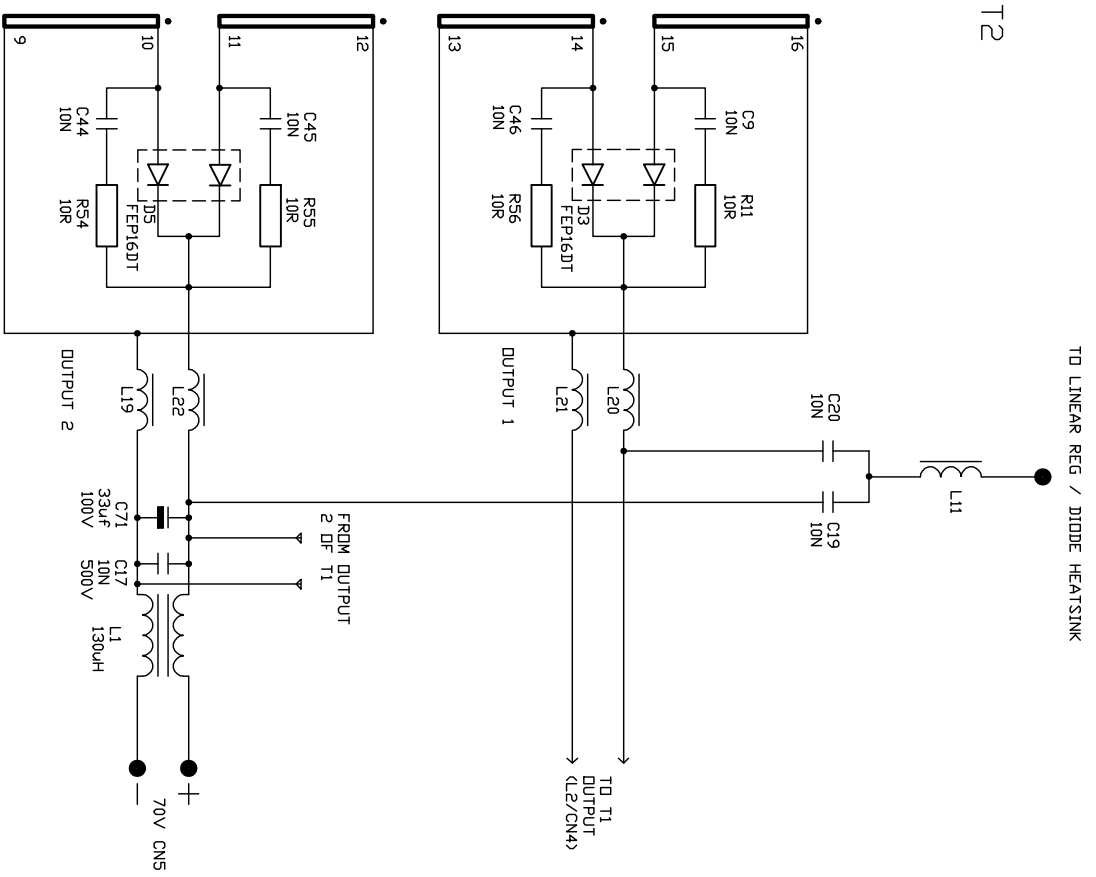


T2



VOLTAGE SELECTION

For 230v fit zero ohm link at R31
 leaving R32 and R3 open.
 For 110v fit zero ohm link at R32
 and R3 leaving R31 open.

S750 MAIN
 P.S.U. 2 TGAH 2007